

# POP-DOWN WASTE

32mm WITH/WITHOUT OVERFLOW

CODE: PW7x

## FEATURES

- Suitable for basins designed for 32 or 40mm waste fittings
- Integrated pop-down plug system
- For use with basins with or without bowl overflows
- Chrome and matte black finishes available
- Durable brass construction with silicone sealing washers
- Waste connection DN32

## MODELS

Pop-down waste 32mm	Chrome	PW7
	Matte Black	PW7B

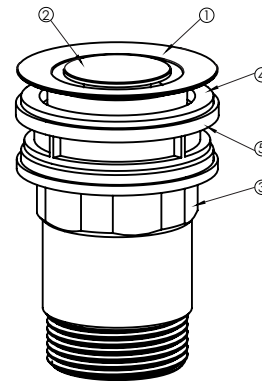
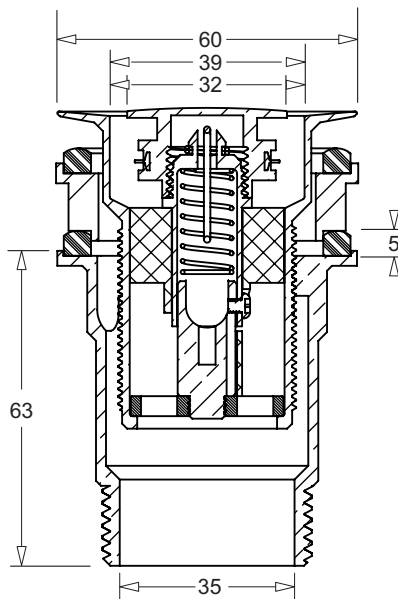


## WARRANTY

Wastes - 1 year replacement  
-refer to T&Cs at [www.johnsonsuiss.co.nz](http://www.johnsonsuiss.co.nz)



GENERAL DIMENSIONS



ITEM	DESCRIPTION	QTY.
1	FLANGE POP DOWN 60mm DIA	1
2	POP DOWN VALVE WITH UPSIDE DOWN SPRING	1
3	BACK NUT FOR POP DOWN 32mm	1
4	POP DOWN DELUX WASHER	2
5	SPACER FOR POP DOWN	1



## TECHNICAL DATA SHEET

SUPERSEDES ALL PREVIOUS ISSUES

All dimensions are in millimetres and are subject to normal manufacturing variation.  
BPA reserves the right to vary specifications without notice.  
Bathroom Products Australia Pty. Ltd. ABN 87 079 297 617