

VENEZIA_{AMBULANT}

JohnsonSuisse
Bathroom Solutions

RIMLESS FLUSH TO WALL TOILET SUITE AMBULANT

CODE:
JTTV301.J2371

FEATURES

- EFFICIENT RIMLESS BOWL DESIGN FOR HYGIENIC FLUSHING
- CONCEALED BACK ENTRY WATER INLET
- AMBULANT COMPLIANT (TO AS1428.1)
- CHROME EASY PUSH DUAL FLUSH BUTTONS
- SOFT-CLOSE, QUICK-RELEASE TOILET SEAT
- S OR P TRAP CONFIGURATION INSTALLATION
- VARIABLE S TRAP PAN CONNECTOR (90-190mm SET OUT)
- WELS 4 Star, 4.5/3.1L (3.4L average flush) L06869

COMPONENTS

VENEZIA _{AMBULANT} RIMLESS FLUSH TO WALL PAN	JTTV301
VENEZIA CISTERN	J2371
VENEZIA QUICK-RELEASE SOFT-CLOSE SEAT	JSEV101

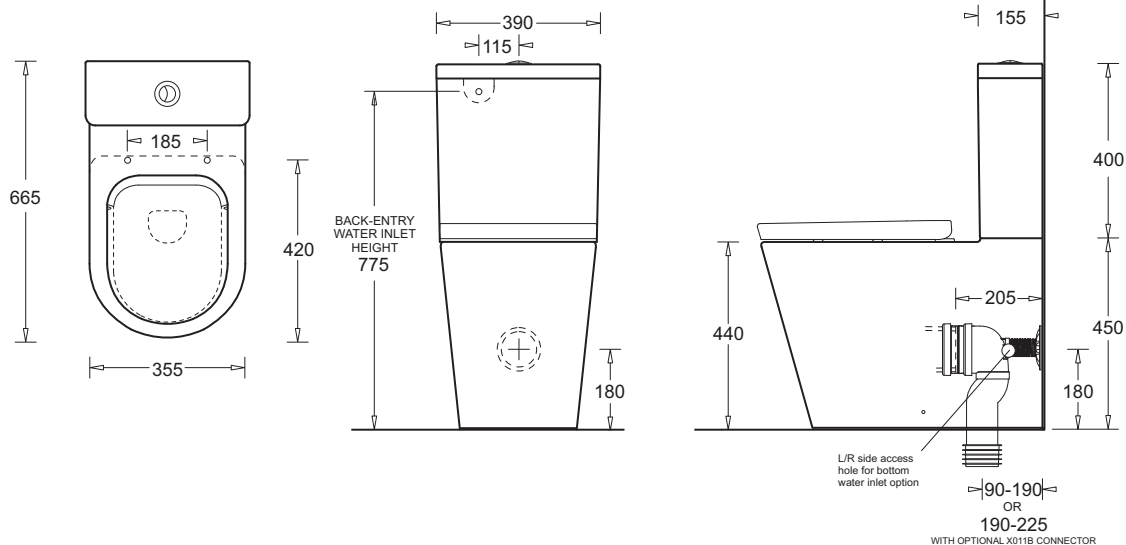
WARRANTY

VC 25 YEARS, VALVES 3 YEARS, SEAT 5 YEARS

- Refer to T&Cs at: johnsonsuiss.com.au



PRODUCT DIMENSIONS



OPTIONS

PAN CONNECTOR S - 190- 225mm SET OUT	X011B
VENEZIA SEAT HINGE BOLT KIT	XJ197

TECHNICAL DATA SHEET

SUPERSEDES ALL PREVIOUS ISSUES

All dimensions are in millimetres and are subject to normal manufacturing variation.
As product development is ongoing BPA reserves the right to vary specifications without notice.
Bathroom Products Australia P/L ABN 87 079 297 617

JohnsonSuisse
Bathroom Solutions

2/97 Banksia St., Botany, NSW 2019
TEL: 1300 717 717 FAX: 1300 746 480
www.johnsonsuiss.com.au