

ECONOFLUSH

INWALL CISTERN

CODE:J2981

FEATURES

- Compact concealed inwall cistern with integral stud mounting frame
- Suitable for installation with floor-mounted, wall-faced pans
- Top water entry and 90mm cavity required
- Adjustable height flush pipe included
- Range of button actuator buttons available

COMPONENTS

ECONOFLUSH unframed inwall cistern	J2981
------------------------------------	-------

OPTIONAL ITEMS

Dual Flush Buttons	Chrome, Matt	JB60
		JB40
	Chrome, Matt, White, Black	JB50
		JB70
		JB80
Extended flush pipe - 245mm	XJ157L	
Button extension rods/lock pins - 200mm	XR920	

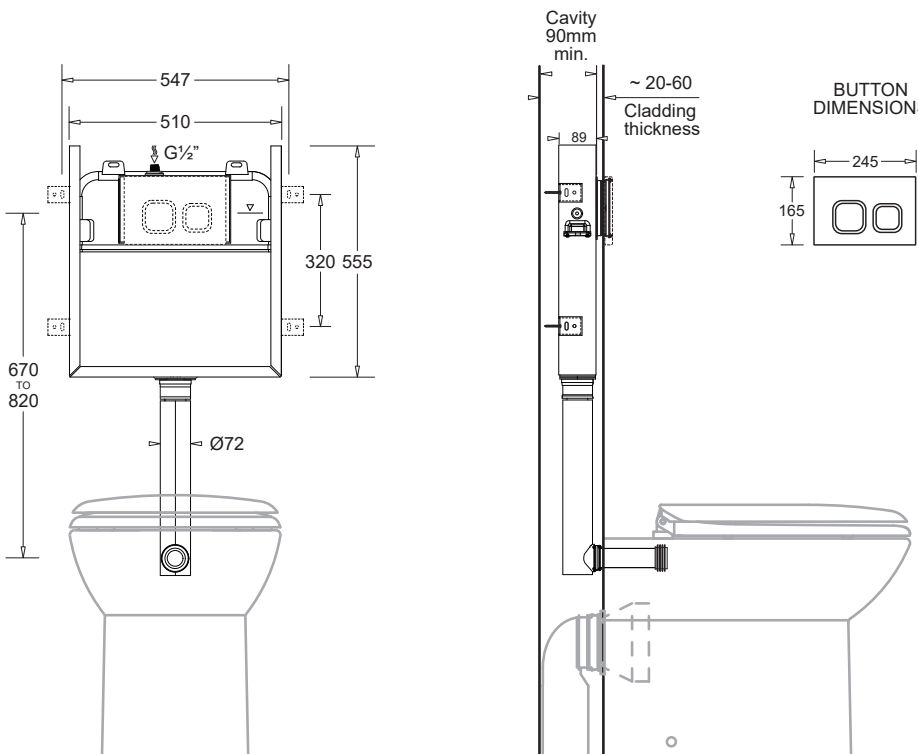


WARRANTY

Cistern 10 year replacement
-refer to T&Cs at www.johnsonsuissse.co.nz



PRODUCT DIMENSIONS



NOTE WC PAN IS NOT INCLUDED

BUTTON DETAIL



JB40



JB50



JB60



JB70



JB80



L06738



AS1172.1/2:2014
WMKA20080

TECHNICAL DATA SHEET

SUPERSEDES ALL PREVIOUS ISSUES

All dimensions are in millimetres and are subject to normal manufacturing variation. As product development is ongoing BPA reserves the right to vary specifications without notice.

Bathroom Products Australia P/L ABN 87 079 297 617