

MODE II

PLASTIC CISTERN with SEAT AND LINK

CODE: G1210A

FEATURES

- Stylish plastic cistern with flush pipe, link and seat
- Ideally matched with standard Mode toilet pans
- Design allows for flexible set out range - typically 150-260mm
- 4.5/3L Dual flush - adjustable to suit 6/3L flushing pans
- LH/RH water inlet
- **WELS 4 Star, 4.7/3L (3.5L average flush) L06622**

Mode II cistern	G1210A
Mode seat with link	G1028A



WARRANTY

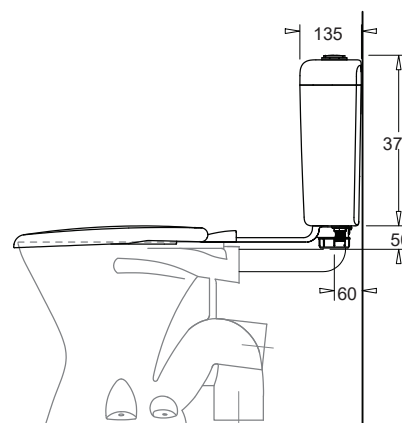
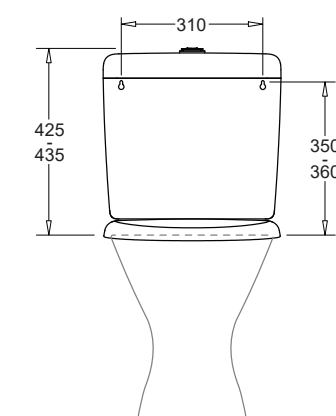
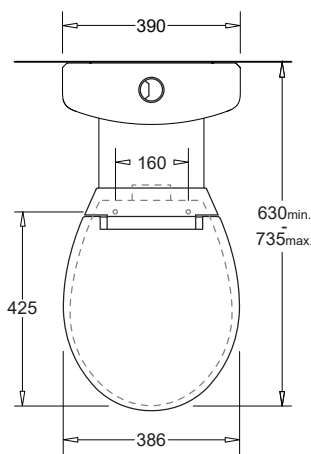
Plastic cistern 10 years replacement
-refer to T&Cs at www.johnsonsuisse.com.au

WC Pan Compatibility:

Mode S Trap	J2000A
Mode P Trap	J2001A
Mode Deluxe S Trap	J2030A
Mode Assist S Trap	J2031



PRODUCT DIMENSIONS



Toilet pan shown for reference only

Standard Fittings

Inlet valve	XJ100
Outlet valve	XJ114
Flush button	XJ144
Link piece	X025
Flush pipe	X026
Wedge seal	X024
Keeseal	X016
Bung	X041
Wall screw kit	X018

TECHNICAL DATA SHEET

SUPERSEDES ALL PREVIOUS ISSUES

All dimensions are in millimetres and are subject to normal manufacturing variation.
As product development is ongoing BPA reserves the right to vary specifications without notice.
Bathroom Products Australia Pty Ltd ABN 87 079 297 617