

WINDSOR

PLASTIC CISTERN LOW or MID-LEVEL

CODE: G1200A

FEATURES

- Standard plastic cistern with seat.
- Ideal for replacement of older style cisterns.
- Components supplied for both Mid- and Low-level installation.
- Design allows for variable set-out range.
- Convertible to 6/3L or 9/4.5L flush for retro-fitting to older WC pans.
- **WELS 4 Star, 4.7/3.2L (3.5L average flush) L06641**

COMPONENTS

Windsor cistern	G1200A
Seat with link	G1028A

WARRANTY

Plastic cistern 10 years product replacement

Toilet seat 5 years product replacement

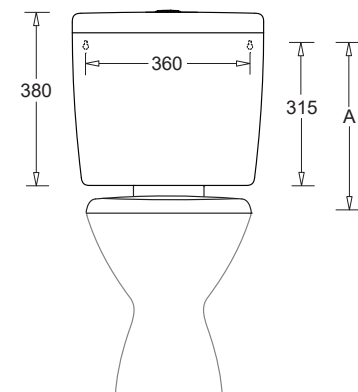
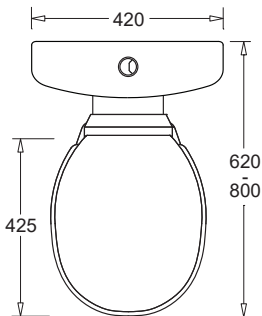
-refer to T&Cs at www.johnsonsisuisse.com.au



PRODUCT DIMENSIONS

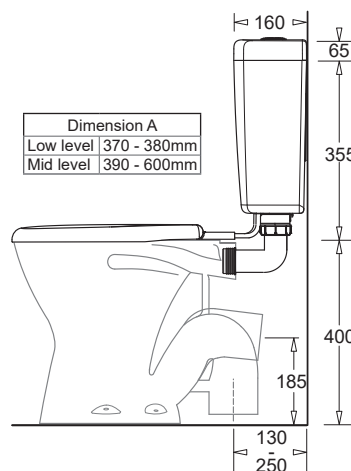
WC Pan Compatibility:

Mode S Trap	J2000A
Mode P Trap	J2001A
Mode Deluxe S Trap	J2030A
Mode Assist S Trap	J2031

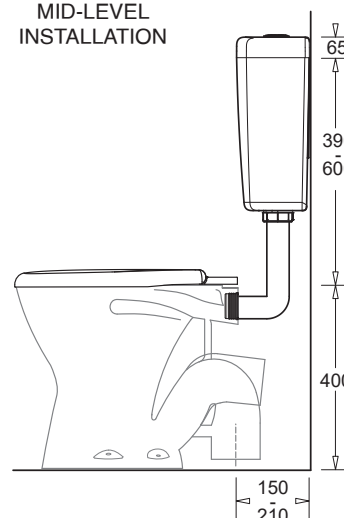


NOTE: WC PAN IS NOT INCLUDED

LOW-LEVEL INSTALLATION



MID-LEVEL INSTALLATION



Standard Fittings

Inlet valve	XJ100
Outlet valve	XJ114
Flush button	XJ144
Link piece	X025
Flush pipe LL	X026
Flush pipe ML	X027
Wedge seal	X024
Keeseal	X016
Bung	X041
Wall screw kit	X018

TECHNICAL DATA SHEET

SUPERSEDES ALL PREVIOUS ISSUES

All dimensions are in millimetres and are subject to normal manufacturing variation.
As product development is ongoing BPA reserves the right to vary specifications without notice.
Bathroom Products Australia Pty Ltd ABN 87 079 297 617