

INSTALLATION INSTRUCTIONS

GEMELLI Rimless Wall Faced Pan

Code: JTTG711.715

DESCRIPTION

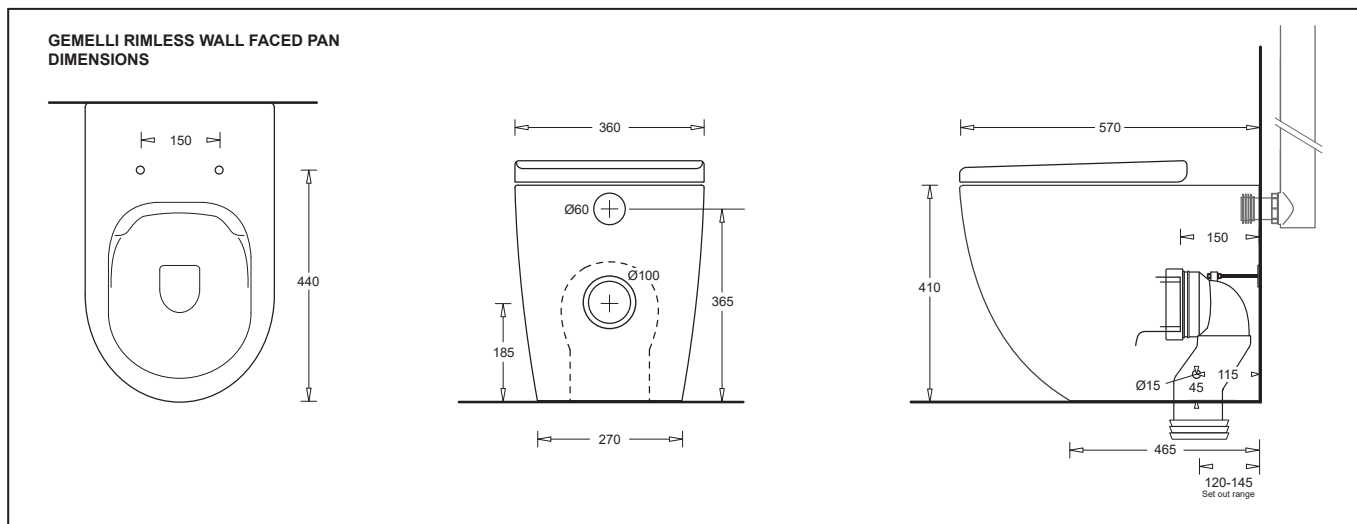
The Gemelli wall faced pan has a rimless design providing a hygienic flush.

The pan may be installed in S or P trap configuration. Only an S Trap connector is provided.

The pan is designed to be used with an in-wall cistern. (Recommend using Econoflush cistern J2981 or pneumatic action J2982)

The pan has a quick release, removable soft close seat (Code JSEG715) that is attached via top-fixed bolts.

Floor fixing brackets are included.



CISTERN

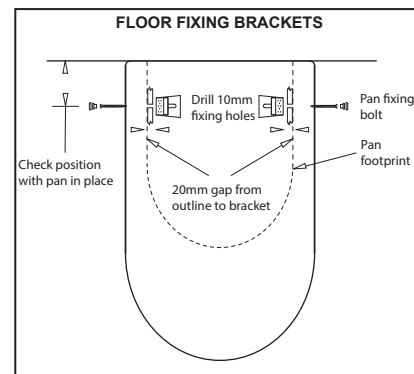
- Install an in-wall cistern to supplier's instructions.
- Note that the flush-water inlet at the back of the pan needs to be located 365mm above floor level.

IMPORTANT: for a leak-free connection, ensure flush-pipe is fully inserted into the keeseal, and keeseal fully inserted into the pan.

INSTALLATION STEPS

Inspect the pan, and seat for any transit damage before starting installation.

1. Check site roughing in, water supply position and assembly dimensions before commencing installation.
2. The WC pan can be installed by setting in a mortar bed or using the concealed pan-fixing bracket.
3. Place the pan in position ensuring it is aligned with the centerline of the sewer connection. Mark the location of the pan fixing bolt holes (Dimension x in Diagram).
4. Remove pan and locate the position of the floor brackets 20mm in from the external edges of the pan side. Drill the holwves (10mm) to attach the floor fixing brackets.
5. For S Trap installation cut the pan connector fitting to the correct length to suit the set out of the installation ensuring that the connector fits onto the pan outlet spigot by at least 40mm.
6. Fix the bracing prop to the back wall. Check that both the water inlet and pan outlet connections fit correctly with the pan fully back against the wall.
7. Screw the fixing bolts into the floor brackets to fix the pan securely to the floor



GENERAL

1. Fill the cistern, and check the water level, if necessary adjust to the fill mark.
2. Test flush several times while checking for leaks at the pan connector and the cistern connection.
3. Fit the toilet seat.

SCOPE OF USE - GEMELLI RIMLESS WALL FACED TOILET PAN

- This toilet pan is manufactured in vitreous china with a rimless bowl design.
- The pan is suitable for installation for general use in interior domestic or commercial applications.
- The pan is supplied in a P Trap configuration with S Trap installation achieved using a plastic converting pan connector.
- The Gemelli wall faced toilet pan complies with AS1172.1 and has a load bearing limit of 200kg
- Installation is subject to the National Construction Code Vol.3 - Plumbing Code of Australia and associated reference Standards that may be applicable at the time.
- To comply with the terms of the BPA warranty the product must be installed by a licenced plumber to the provided instructions.
- External vitreous china surfaces should be cleaned with a soft, damp cloth and mild detergent.
- The interior of the flushing bowl should be regularly cleaned with a toilet brush and proprietary toilet cleanser.