

PLAZA_{ASSIST}

SPECIAL NEEDS TOILET SEAT

CODE: RB6015x

FEATURES

- Tough Duroplast (urea) construction
- Bolt-through, vandal resistant hinge connection
- Can be installed in compliance with AS1428.1
- Design for access and mobility
- Available in 3 colours
- Adjustable lateral stabilisers
- Generic size - fits most toilets

COMPONENTS

| | | | |
|-------------------------------------|-------|----|---------|
| PLAZA _{ASSIST} toilet seat | Blue | OR | RB6015B |
| | Grey | | RB6015G |
| | White | | RB6015W |



RB6015B



RB6015G



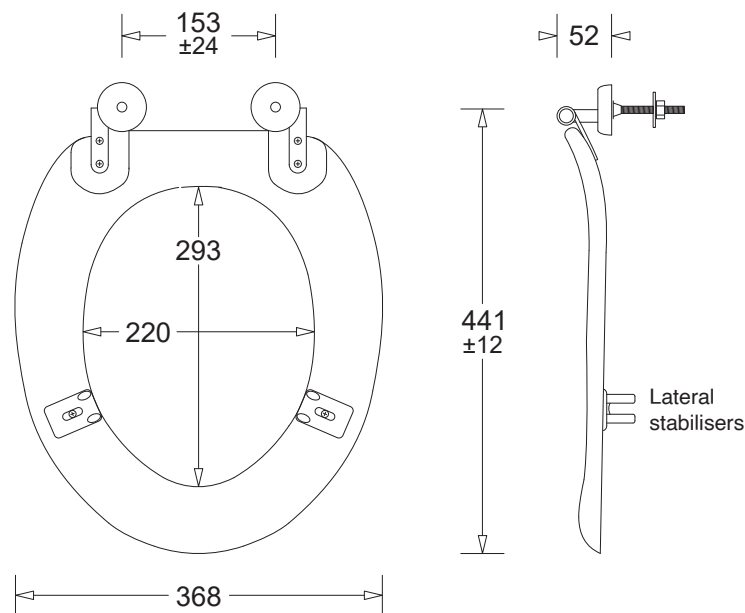
RB6015W

WARRANTY

Toilet seat 5 years replacement
-refer to T&Cs at www.johnsonsuiss.co.nz



PRODUCT DIMENSIONS



TECHNICAL DATA SHEET

SUPERSEDES ALL PREVIOUS ISSUES

All dimensions are in millimetres and are subject to normal manufacturing variation.
As product development is ongoing BPA reserves the right to vary specifications without notice.
Bathroom Products Australia Pty Ltd ABN 87 079 297 617