

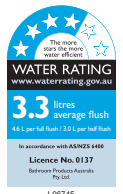
LIFE ASSIST

WALL FACED PAN with ASSIST SEAT

CODE:
J2775.RB6044.x

FEATURES

- Smartly styled, easy clean, wall faced vitreous china toilet designed for Special Needs applications
- Can be used in assisted living installations with the increased seat height for comfortable use
- Long projection pan for wheelchair side access
- Special Needs seat (blue or grey) with lateral stabilisers
- Adjustable S connector supplied for 90-300mm or 300-370 with optional X011B connector
- AS1428.1 compliant



COMPONENTS

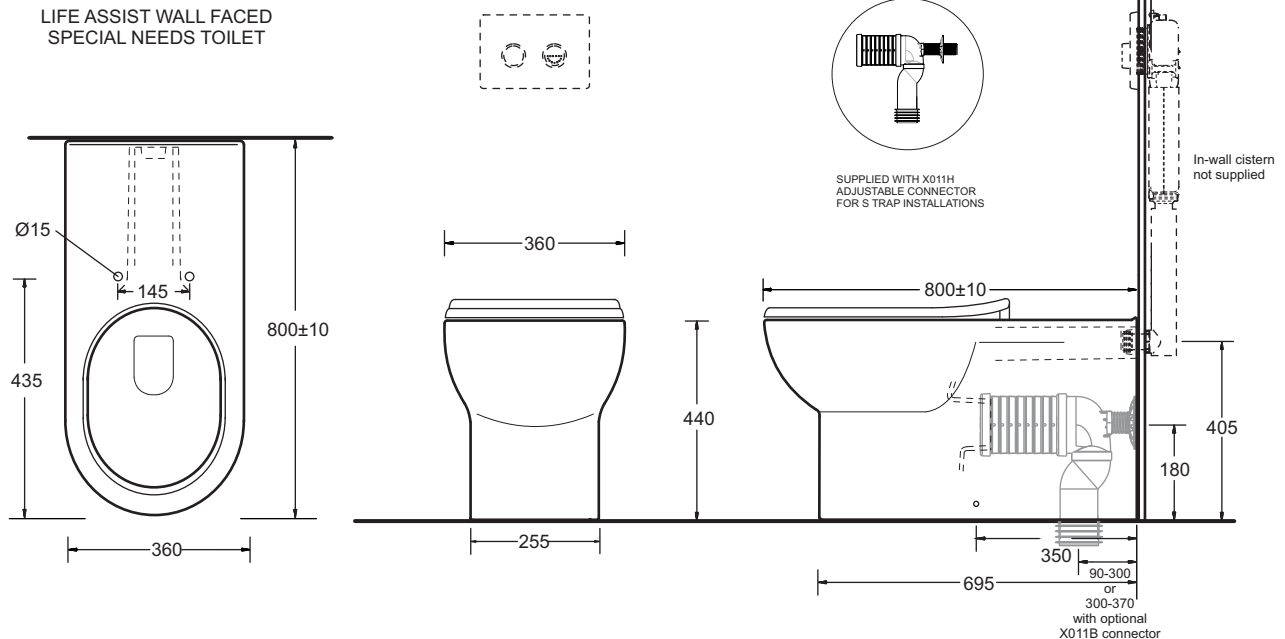
Life Assist wall faced pan		JBSG840.1	
Life Assist toilet seat	OR	Blue	RB6044B
		Assist	RB6044G
		White	RB6044W
Pan connector		X011H	

WARRANTY

Vitreous china 25years replacement
Toilet seat 5years replacement
-refer to T&Cs at www.johnsonsuiss.com.au



LIFE ASSIST WALL FACED
SPECIAL NEEDS TOILET



TECHNICAL DATA SHEET

SUPERSEDES ALL PREVIOUS ISSUES

All dimensions are in millimetres and are subject to normal manufacturing variation.
BPA reserves the right to vary specifications without notice.
Bathroom Products Australia Pty. Ltd. ABN 87 079 297 617