

COTTAGE

TOILET SEAT with STANDARD HINGE

CODE: G1027A

FEATURES

- Durable polypropylene construction
- Standard close hinge function
- Simple and secure fitting
- Moulded seat buffers
- Standard size - fits most toilets

COMPONENTS

Cottage standard close seat Fixing bolts	G1027A
---	--------



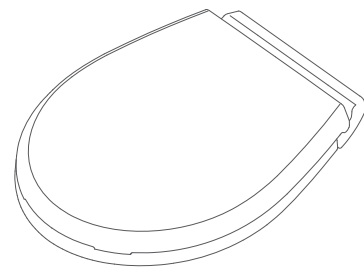
WARRANTY

5 years replacement

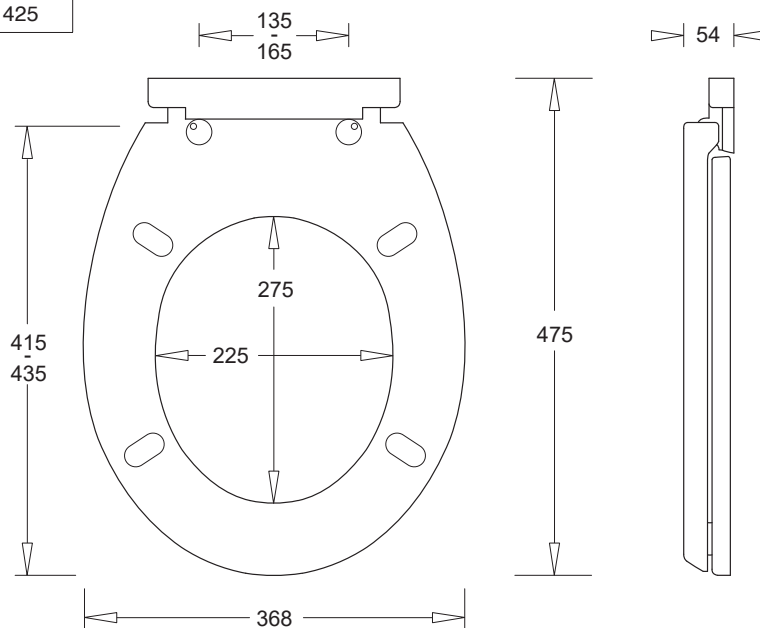
-refer to T&Cs at www.johnsonsisuisse.com.au

WC Pan Compatibility:

Mode S Trap	J2000A
Mode P Trap	J2001A
Mode Deluxe S Trap	J2030A
Civic/Plaza CC S Trap	J2010
Civic/Plaza CC P Trap	J2011
Milano CC S Trap	J1424
Milano CC P Trap	J1425



PRODUCT DIMENSIONS



TECHNICAL DATA SHEET

SUPERSEDES ALL PREVIOUS ISSUES

All dimensions are in millimetres and are subject to normal manufacturing variation.
As product development is ongoing BPA reserves the right to vary specifications without notice.
Bathroom Products Australia Pty Ltd ABN 87 079 297 617