

# UTILITY SINK - LARGE

COUNTER TOP DROP IN SINK

Nominal size 620 x 480mm



0 TAPHOLE

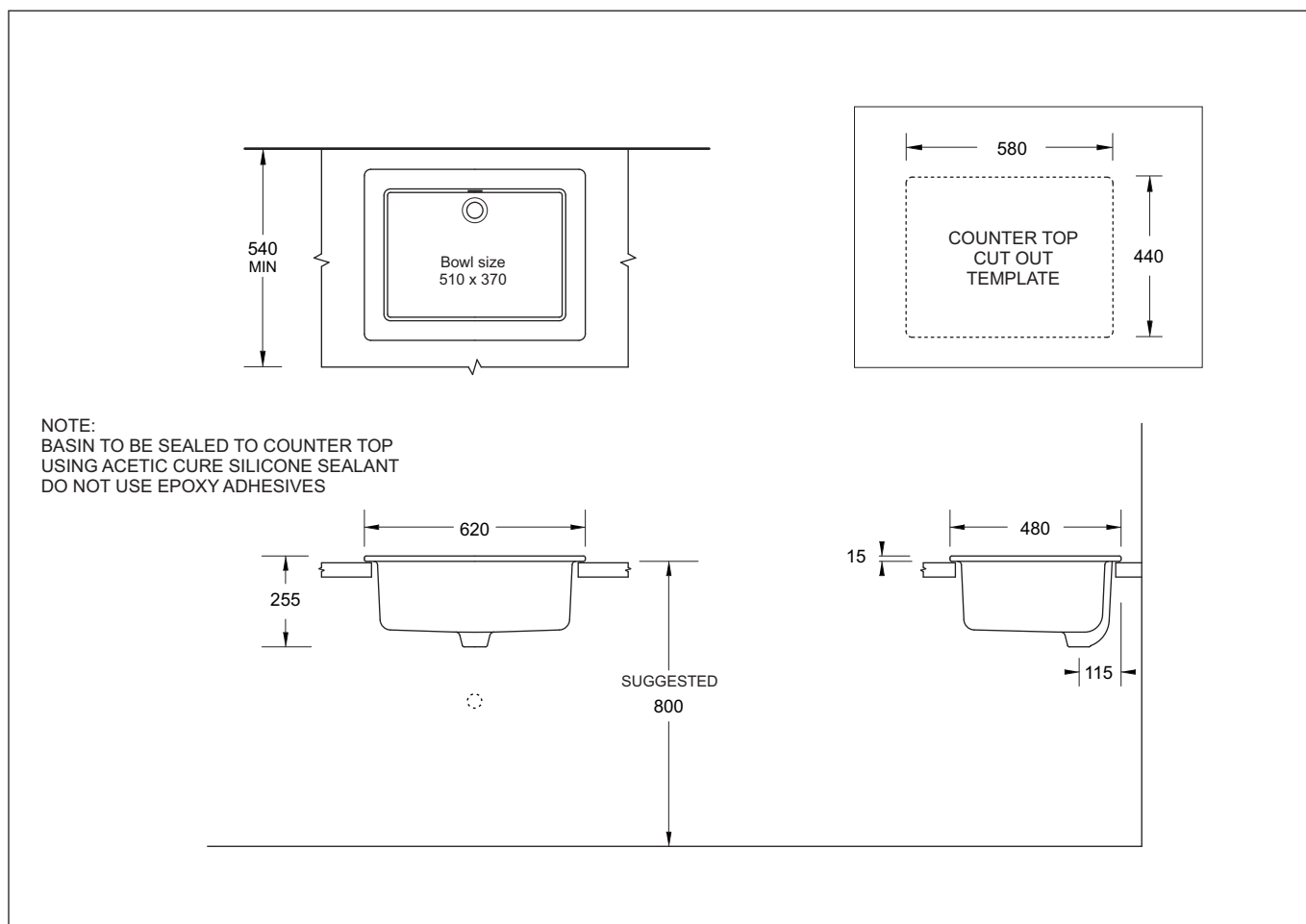
# UTILITY SINK - LARGE

## COUNTER TOP DROP IN SINK



- Large rectangular vitreous china utility sink
- Durable, inert glaze finish
- Standard overflow (no trim)
- No taphole
- Bowl capacity 29L
- 32mm waste outlet
- 620 x 480mm

Provided		
Item	Description	Code
Sink	Large Utility Sink	C5241
Plug & Waste	32/40mm Overflow-Plastic	PW1



All dimensions are in millimetres and are subject to normal manufacturing variation of +/- 3mm on all surfaces.  
As product development is ongoing BPA reserves the right to vary specifications without notice.