

INSTALLATION INSTRUCTIONS

GEMELLI Rimless Wall Hung Pan

Code: JTTG705.JSEG712

JohnsonSuisse
Bathroom Solutions

DESCRIPTION

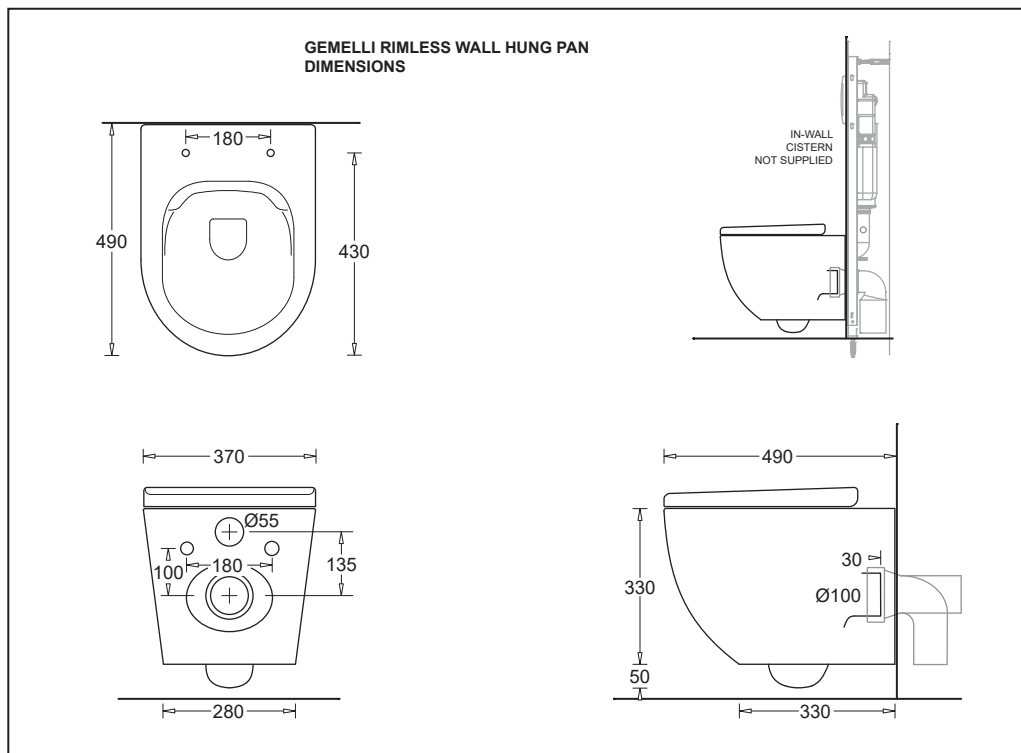
The Gemelli wall hung pan has a rimless design providing a hygienic flush.

The pan is designed to be used with a framed, load-supporting in-wall cistern.

(Johnson Suisse J2986 in-wall sistrern recommended)

It has a concealed bolt mounting system that is hidden after installation.

The pan has a quick release, removable soft close seat (Code JSEG712) that is attached via top-fixed bolts.



GENERAL INSTALLATION STEPS

Inspect pan, cistern and seat for any transit damage before starting installation.

- Check site roughing in and assembly dimensions before commencing installation. Ensure that all key dimensions match with the pan support frame - bolt spacing and height, water inlet and sewer outlet spigot.
- Install in-wall cistern to supplier's instructions
- Attach pan (fixing bolts are supplied as part of the cistern equipment, make sure that the protective washers are used where there is metal to ceramic contact). Ensure that sealing washers/connectors for the flush-water inlet and waste outlet are correctly installed.
- If desired a waterproof mastic sealant may be used between the wall and the back face of the pan.
- Fill cistern and test flush several times while checking for leaks.
- Fit seat.

SCOPE OF USE - GEMEILLI RIMLESS WALL HUNG TOILET PAN

- This toilet pan is manufactured in vitreous china with a rimless bowl design.
- The pan is suitable for installation for general use in interior domestic or commercial applications.
- This toilet pan complies with AS1172.1 and when installed with a Johnson Suisse J2986 in-wall cistern has a load bearing limit of 200kg.
- Installation is subject to the National Construction Code Vol.3 - Plumbing Code of Australia and associated reference Standards that may be applicable at the time.
- To comply with the terms of the BPA warranty the product must be installed by a licenced plumber to the provided instructions.
- External vitreous china surfaces should be cleaned with a soft, damp cloth and mild detergent.
- The interior of the flushing bowl should be regularly cleaned with a toilet brush and proprietary toilet cleanser.