

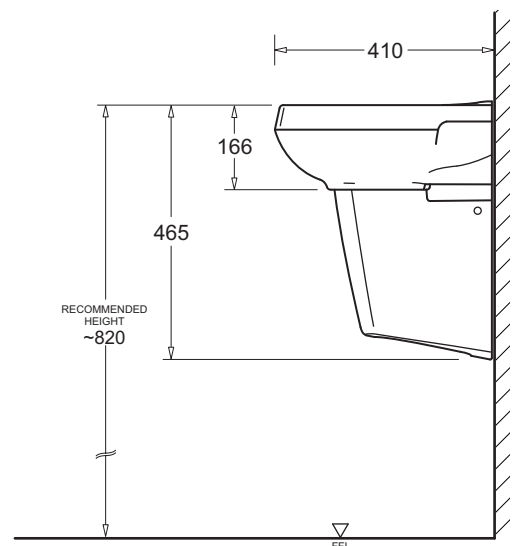
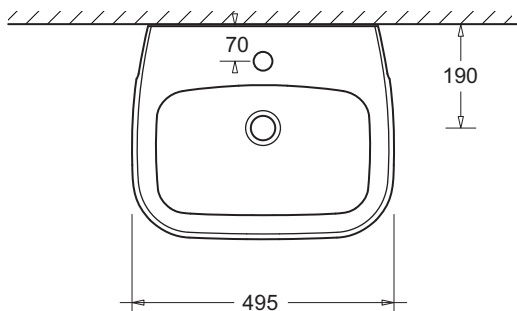
## Installation Guidelines

### Life II - Wall Basin with Shroud

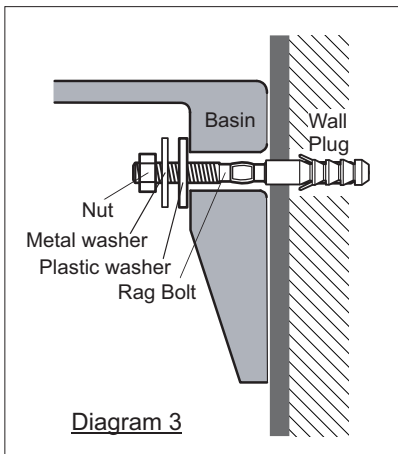
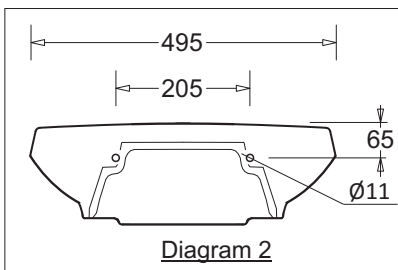
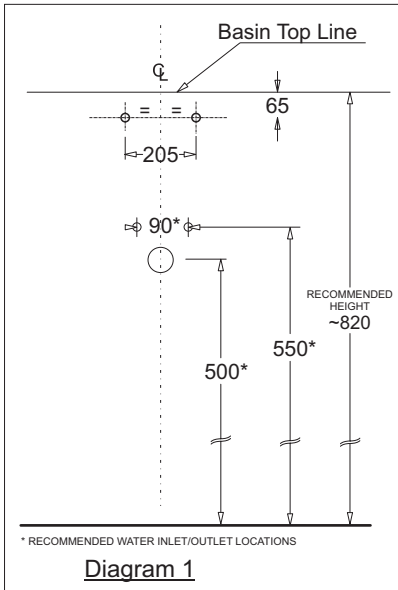
Wall Basin Model JBSL849.1  
Shroud Model JBSL852



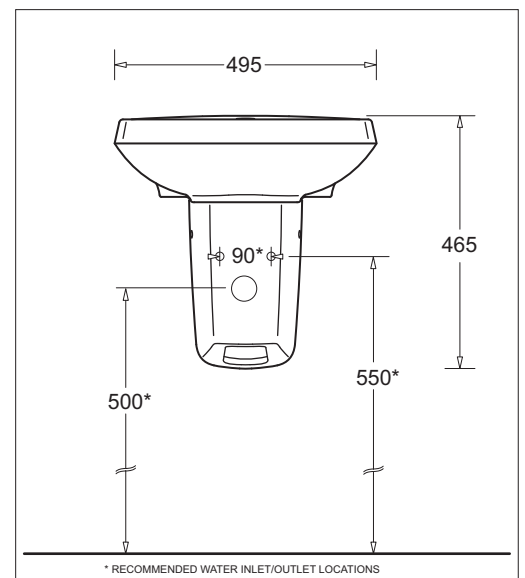
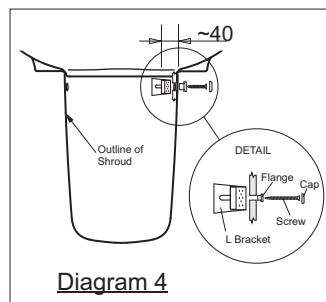
## General Dimensions



## INSTALLATION



- Place the basin at the required position.
- Mark the line for the top of the basin (recommended to be 800 - 820mm above finished floor level).
- Remove the basin, and mark the anchoring points 65mm below the required top line, and 205mm around centerline of basin (refer to diagram 1 and 2).
- Drill 2 holes 9.5mm in the wall (masonry), insert wall plugs and screw in the Rag bolts securely. Position the basin, and secure to the wall using the nuts and washers (refer to diagram 3).  
If installing into a timber frame, drill a 5mm pilot hole and thread rag bolt directly into timber.
- Ensure that the waste and water inlets are in place (refer to diagram 1).
- Position Shroud under the basin in correct position, and mark the outline of the shroud, and the position of the mounting holes.
- Remove shroud, and at the mounting holes height mark the wall holes position about 40mm inwards of the shroud outline.
- Drill 8mm holes, insert wall plugs and secure the mounting elbows (refer to diagram 4).
- Make all water and waste connections as required.
- Hold shroud in place, secure with screws from sides, and put plugs over holes.
- Seal around the sides and top of the basin with a suitable silicone.



### Required Tools

- Drill
- Tape Measure
- Spanners
- Screwdriver
- Hammer
- Spirit level

