

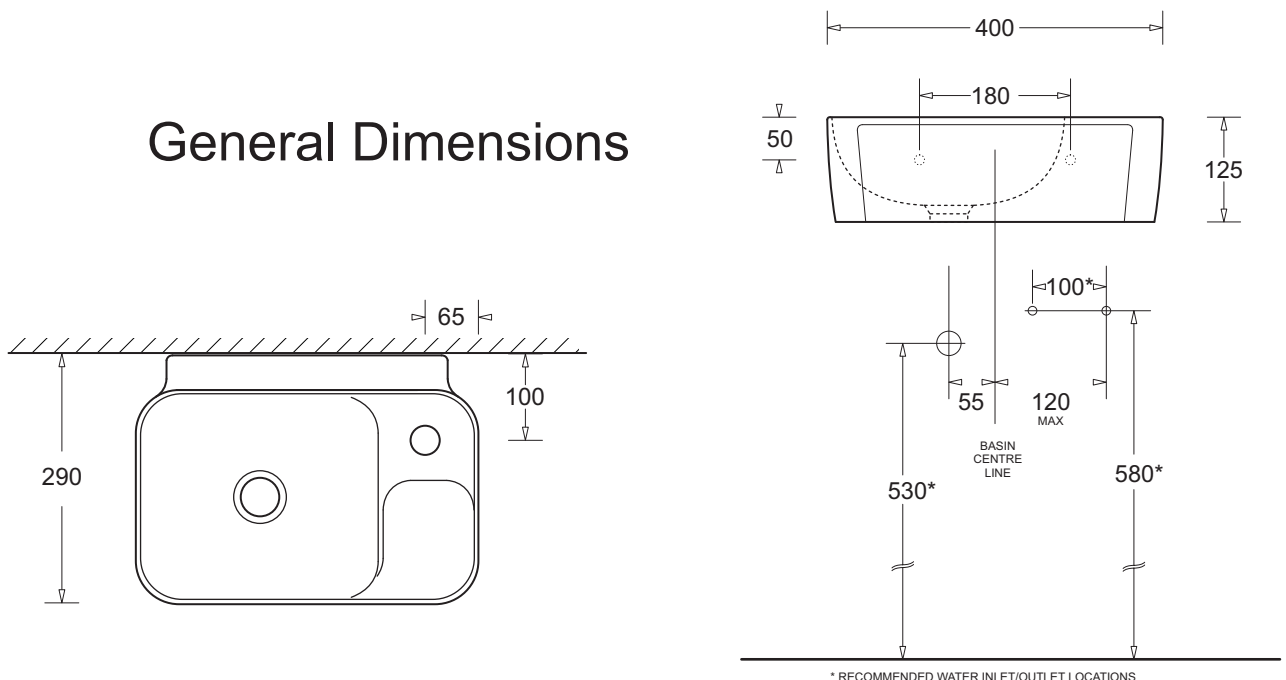
## Installation Guidelines

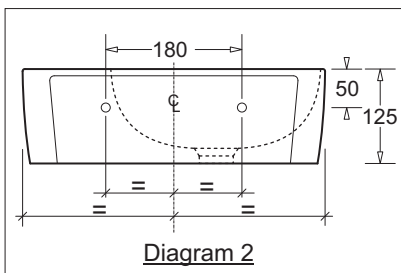
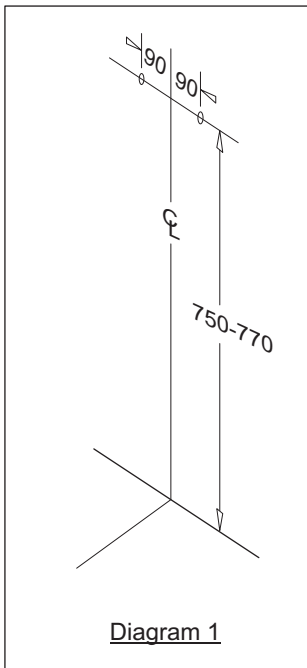
### Gemelli - Compact Wall Basin

Wall Basin Model JBSG840.1



### General Dimensions



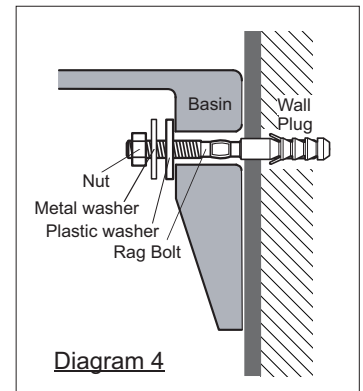
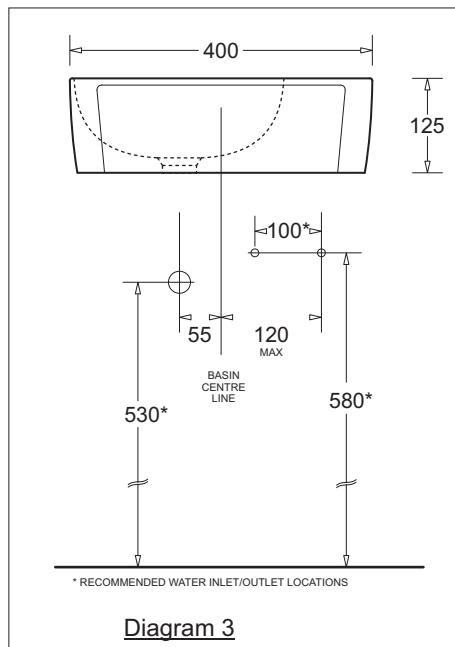


## INSTALLATION

- Place the basin at the required position.
- Mark the line for the top of the basin (recommended to be 800 - 820mm above finished floor level).
- Remove the basin, and mark the anchoring points 50mm below the required top line, and 90mm each side of centerline of basin (refer to diagram 1 and 2).
- Ensure that the waste and water inlets are in place (refer to diagram 3).
- Drill 2 holes 9.5mm in the wall (masonry), insert wall plugs and screw in the Rag bolts securely. Position the basin, and secure to the wall using the nuts and washers (refer to diagram 4).

If installing into a timber frame, drill a 5mm pilot hole and thread rag bolt directly into timber.

- Seal around the sides and top of the basin with a



### Required Tools

- Drill
- Tape Measure
- Spanners
- Screwdriver
- Hammer
- Spirit level

